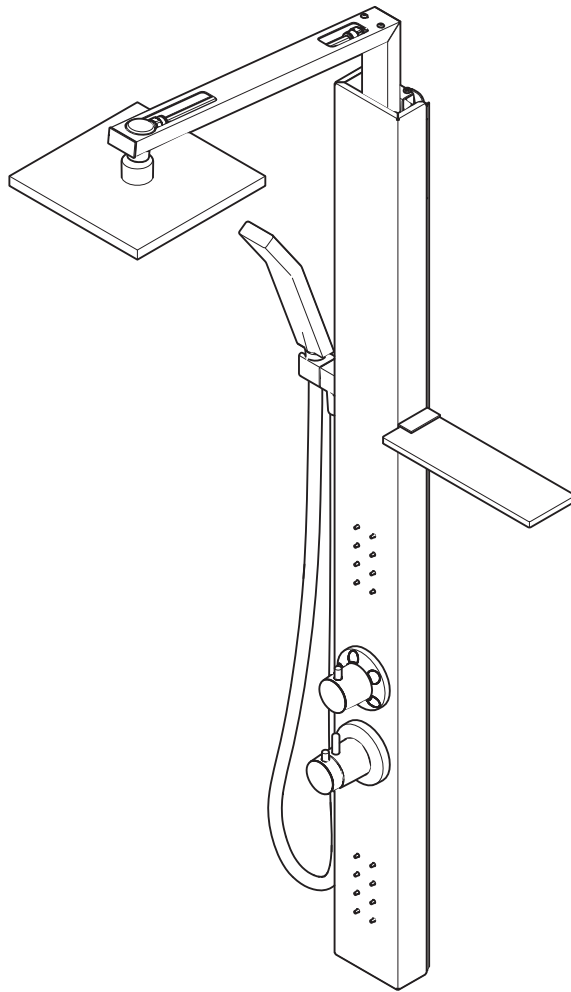
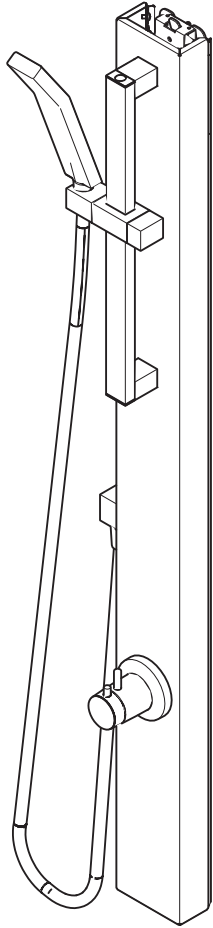
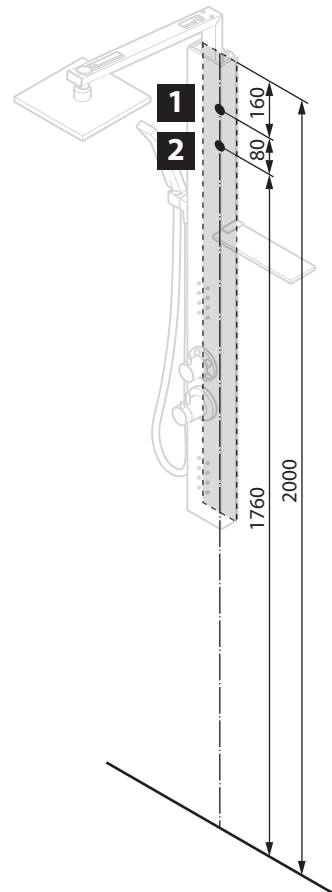
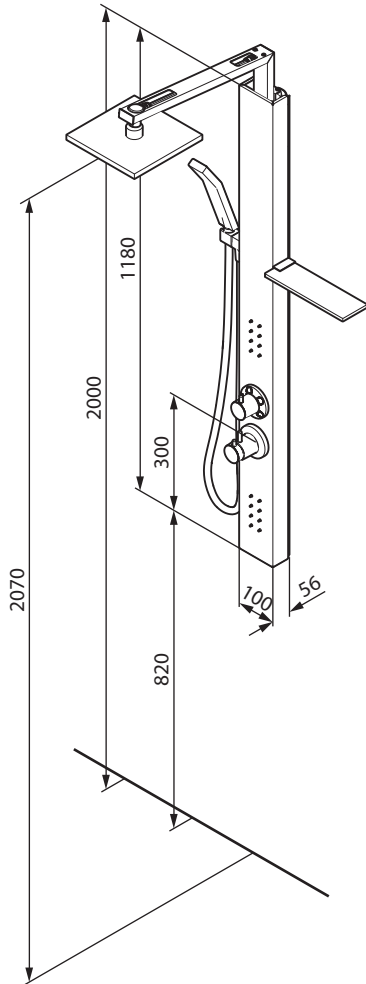
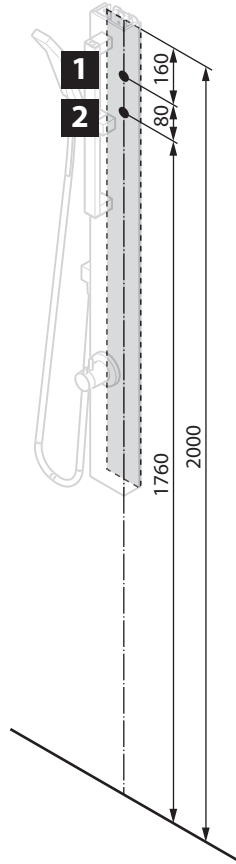
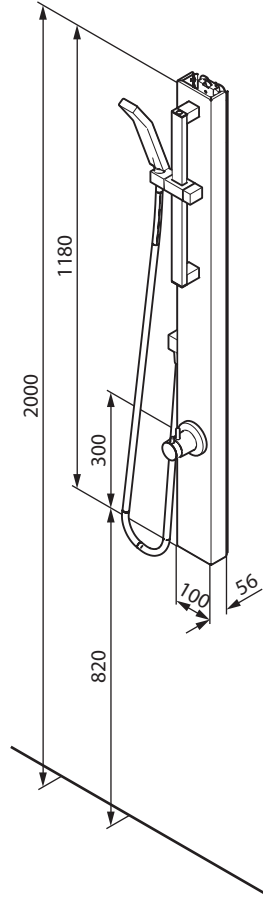
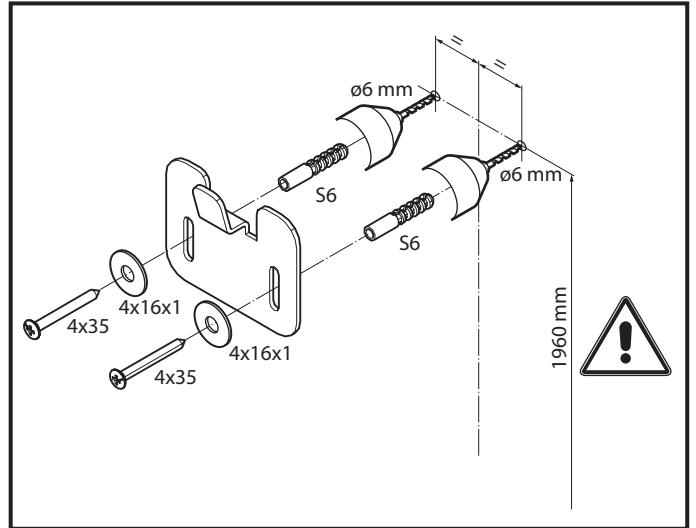
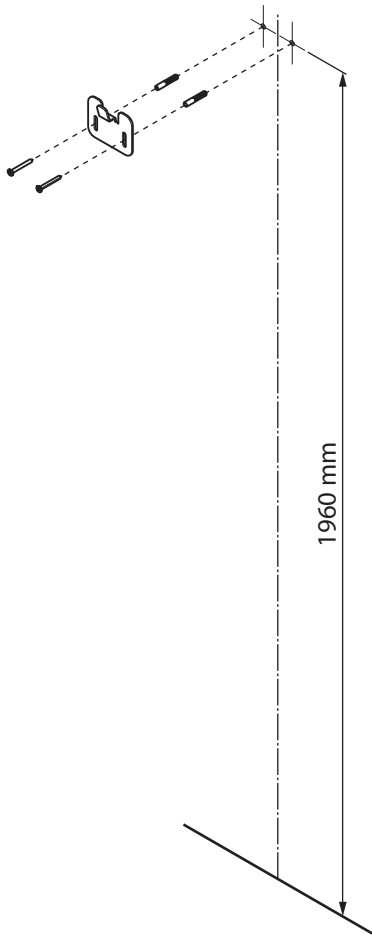


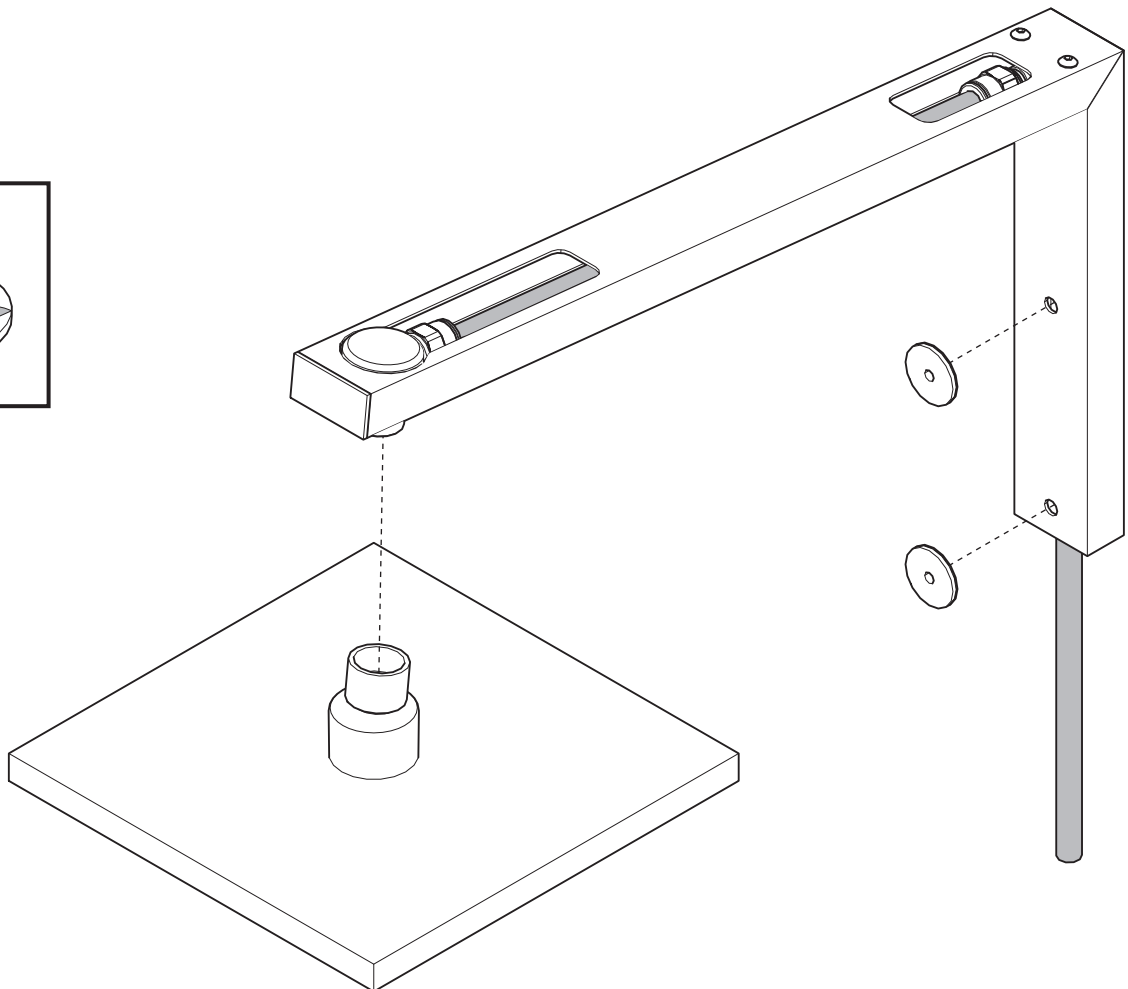
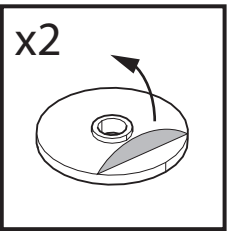
REV1



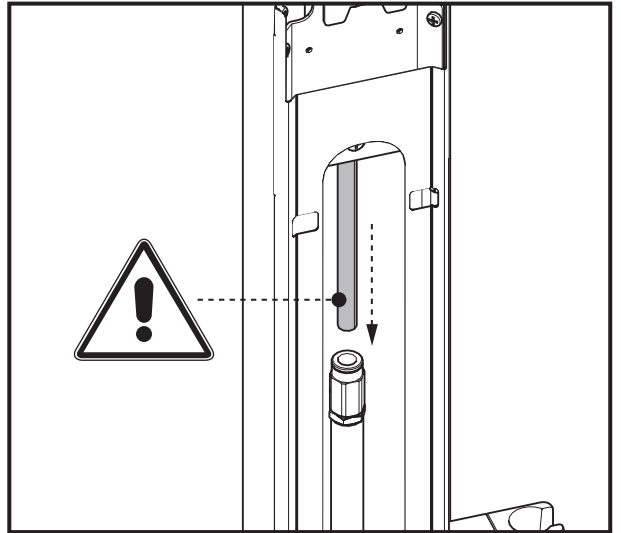
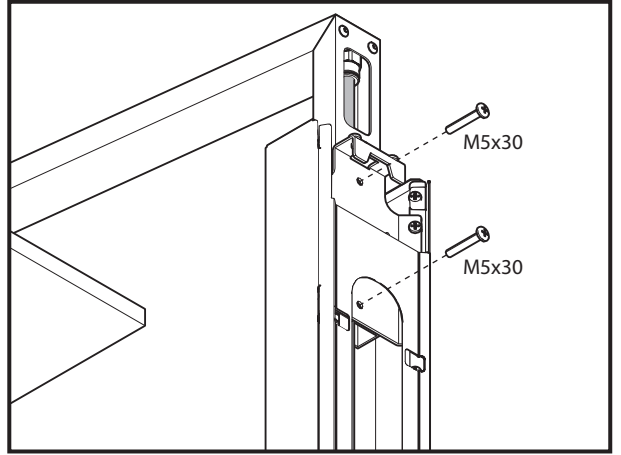
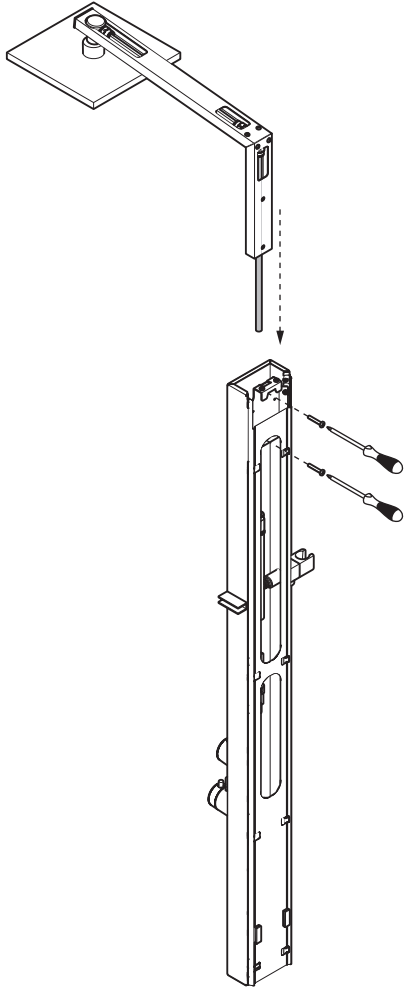




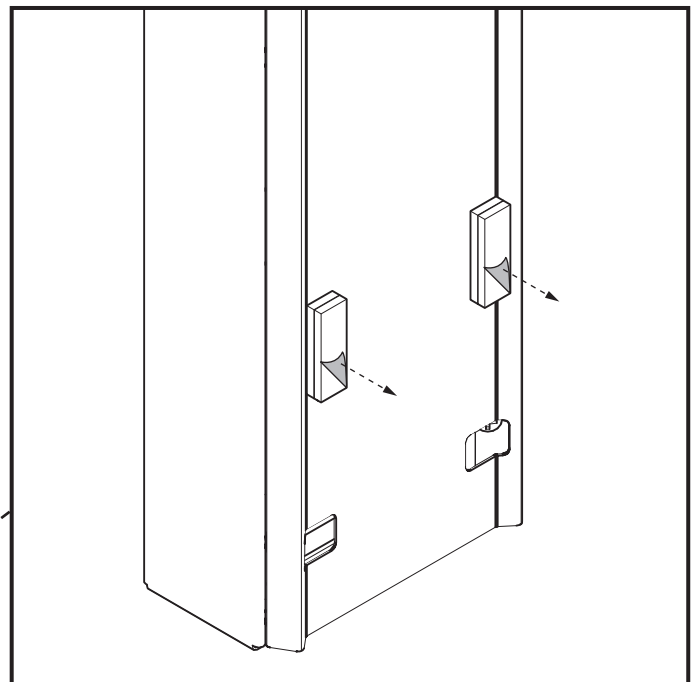
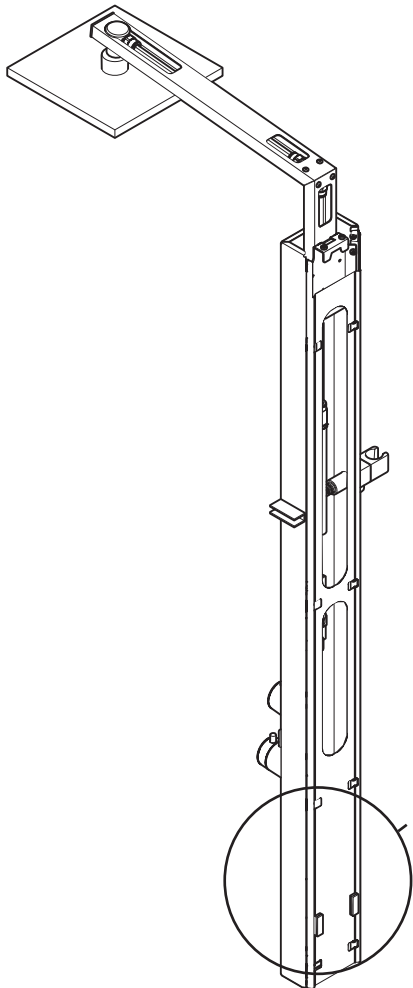
2



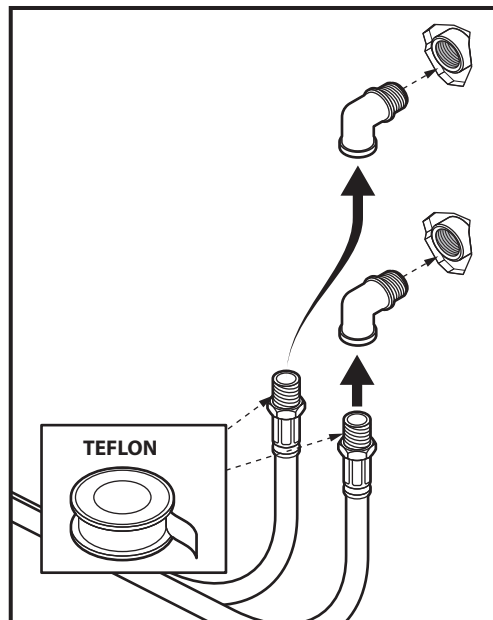
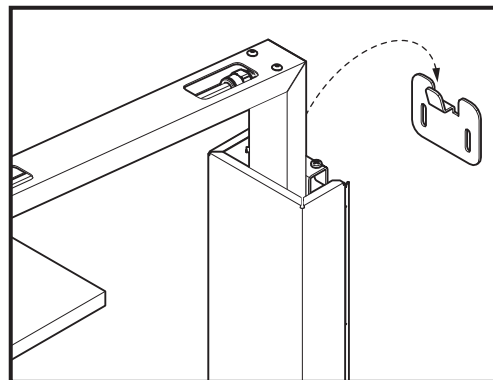
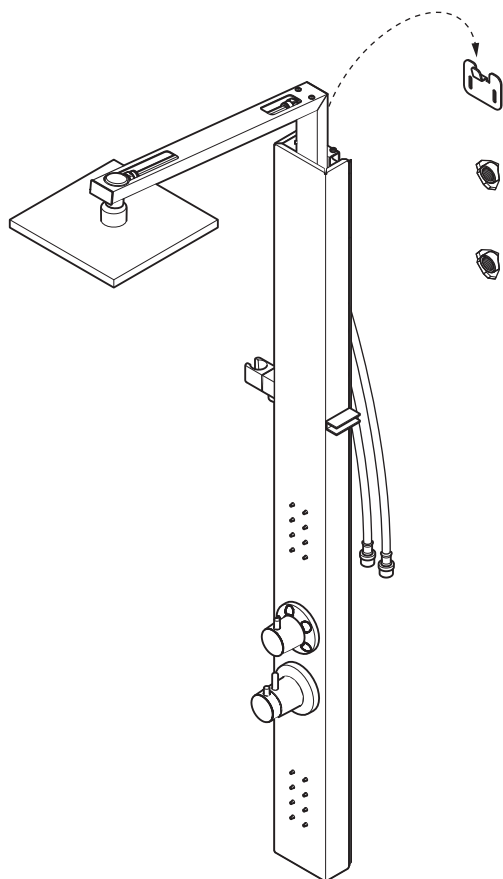
3



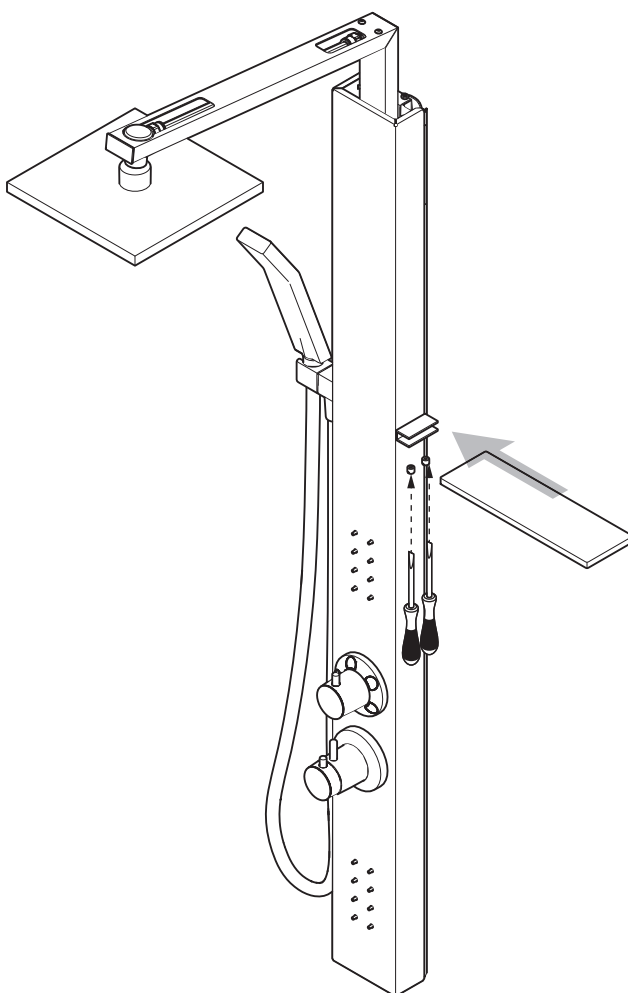
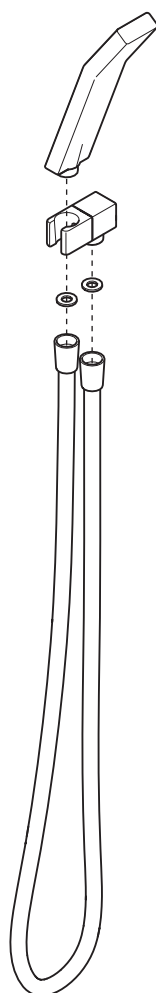
4

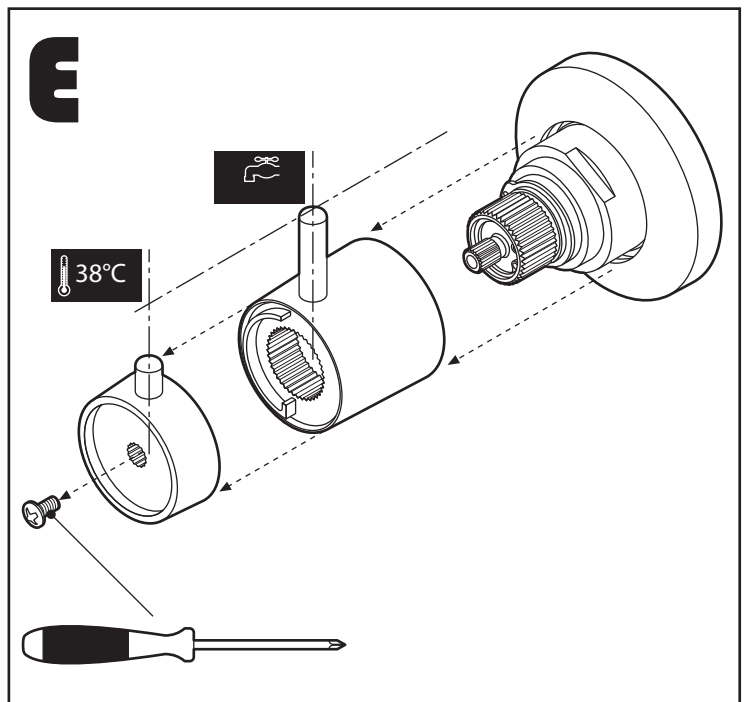
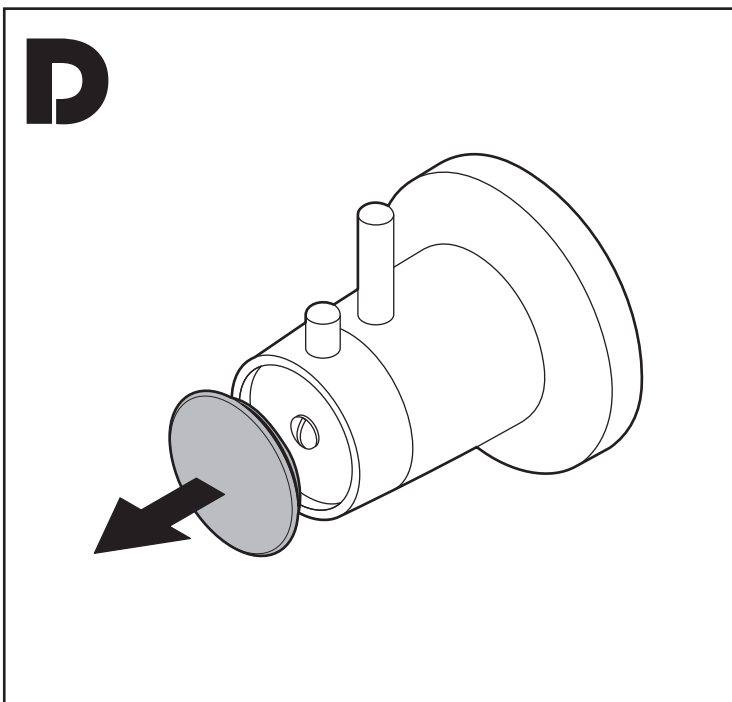
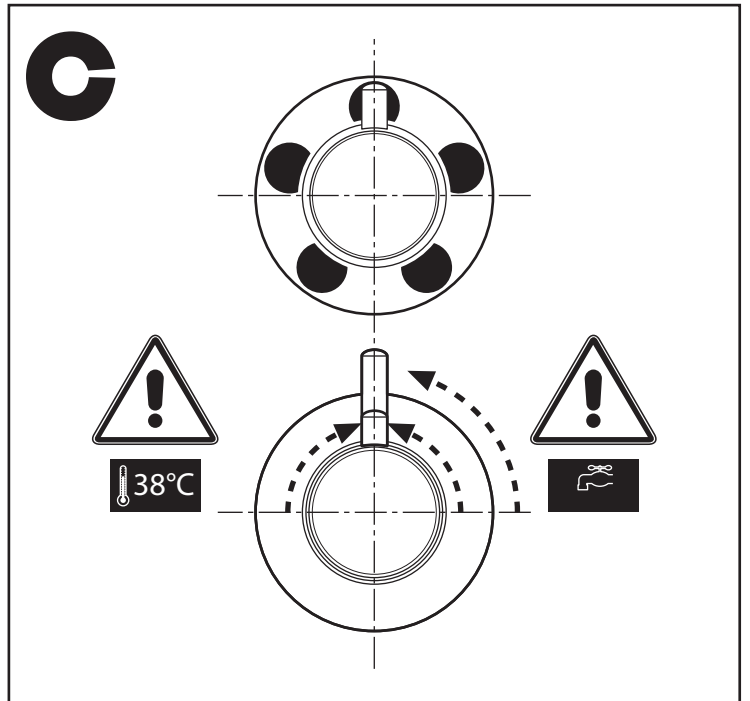
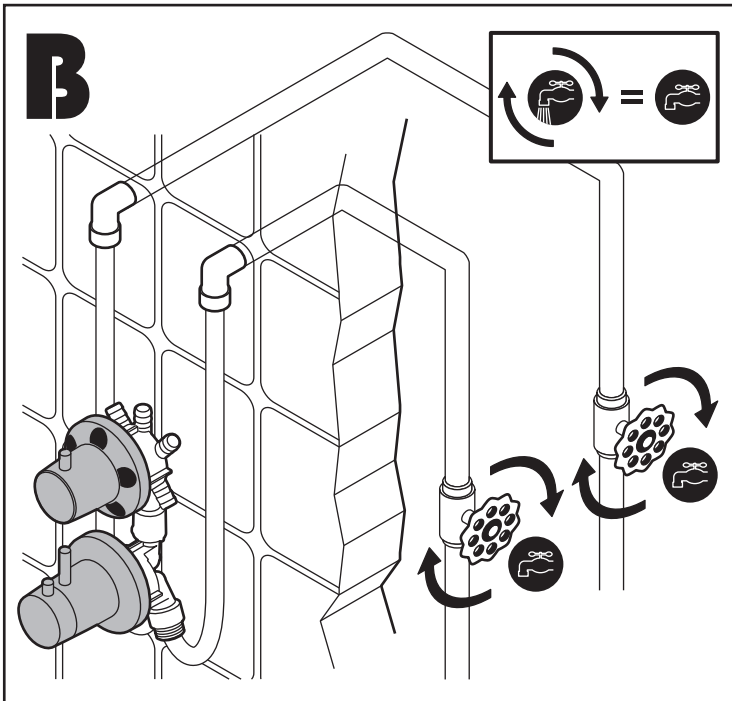
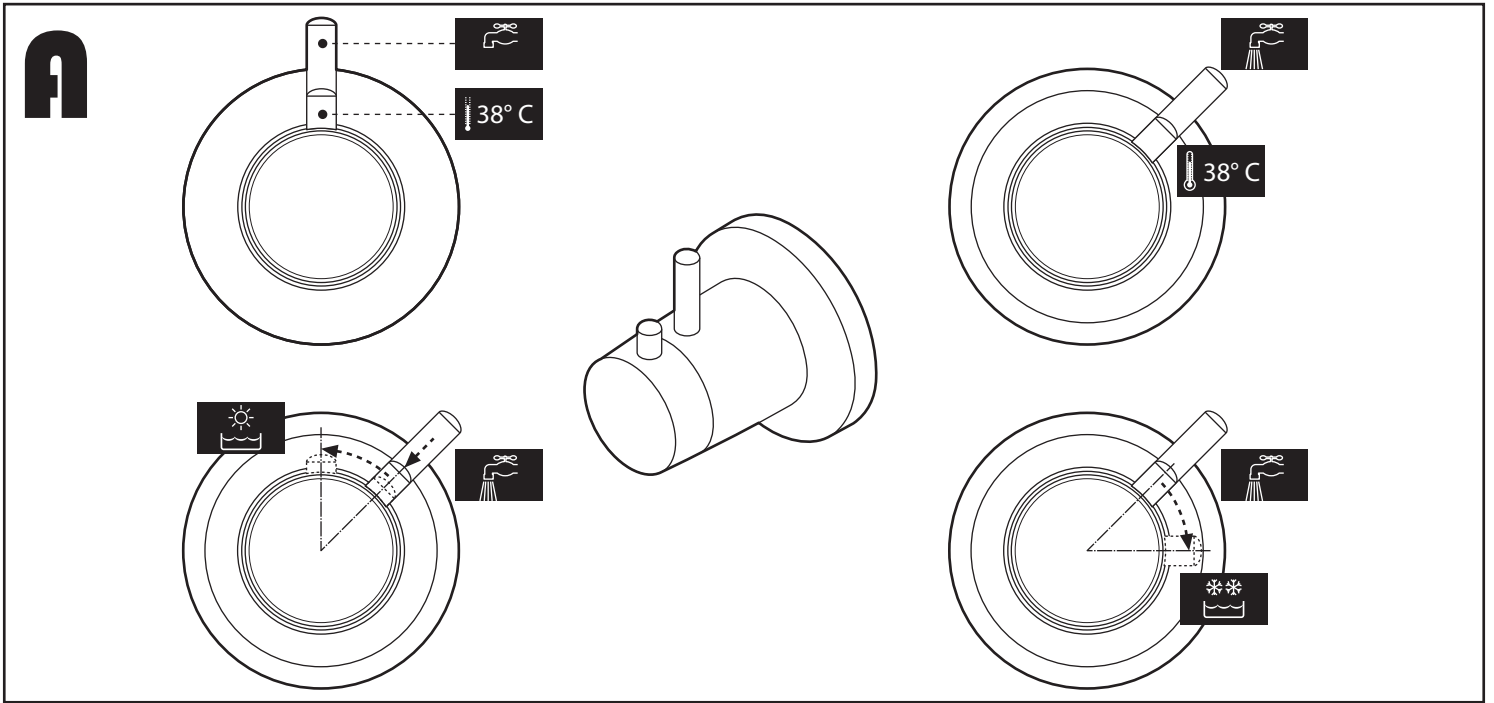


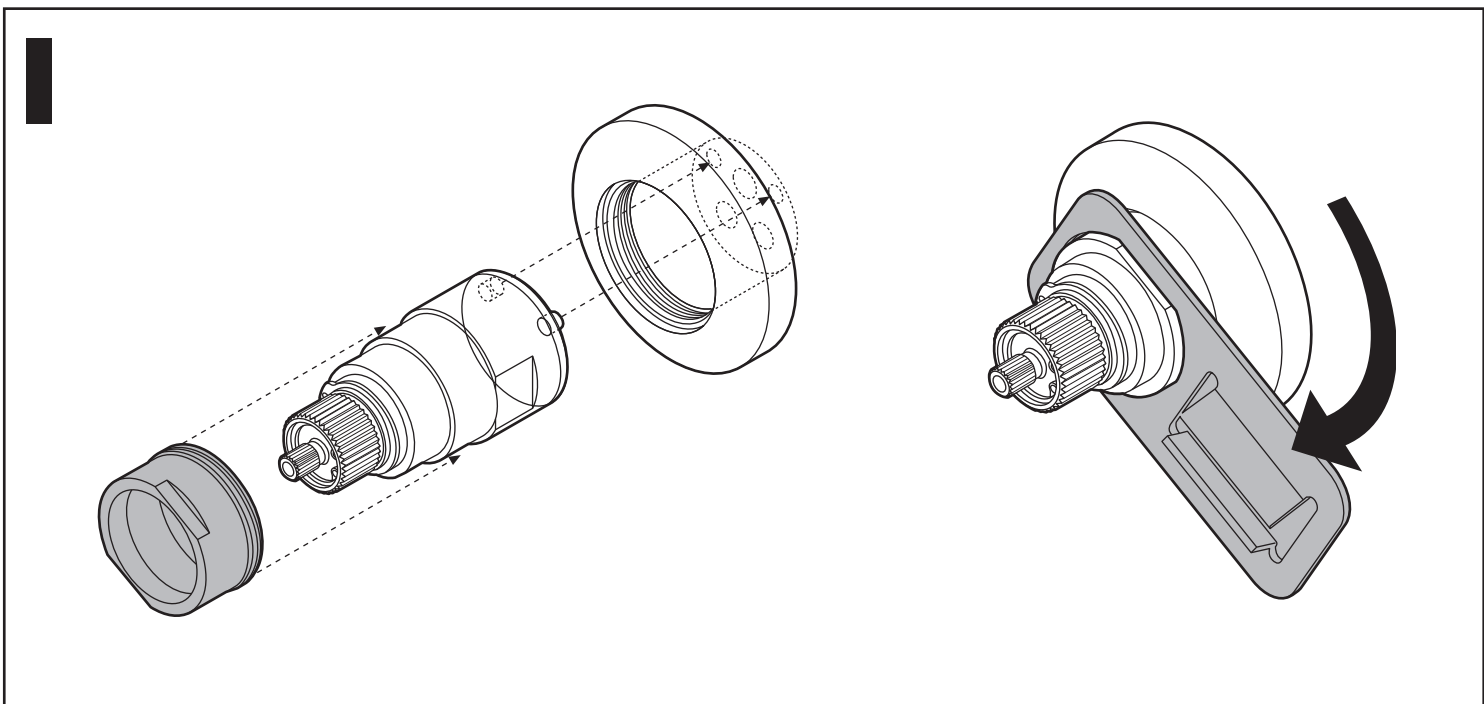
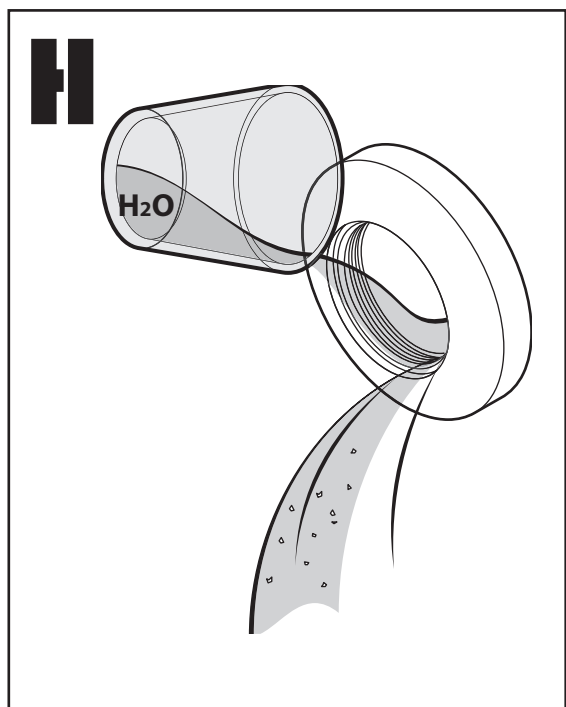
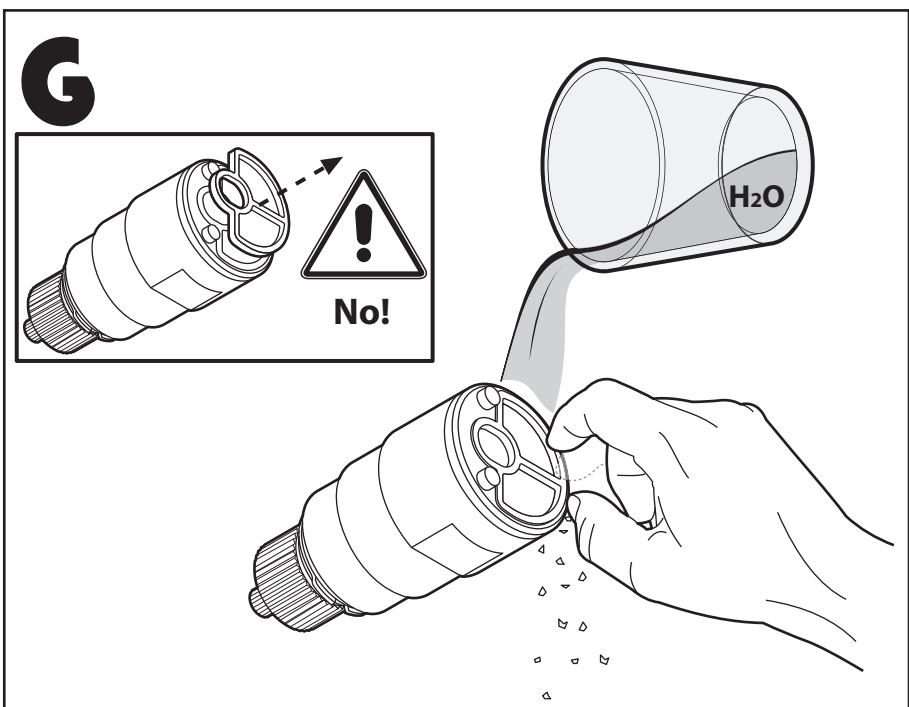
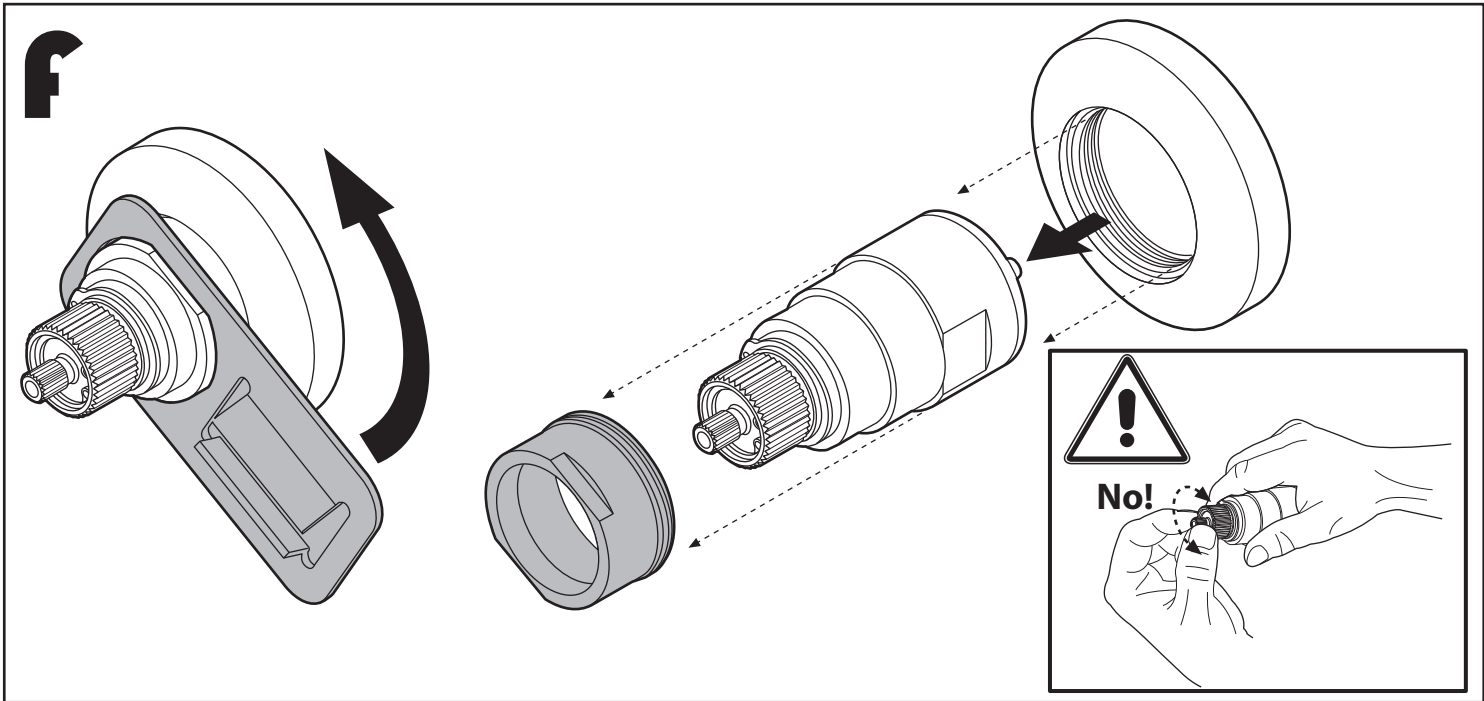
5

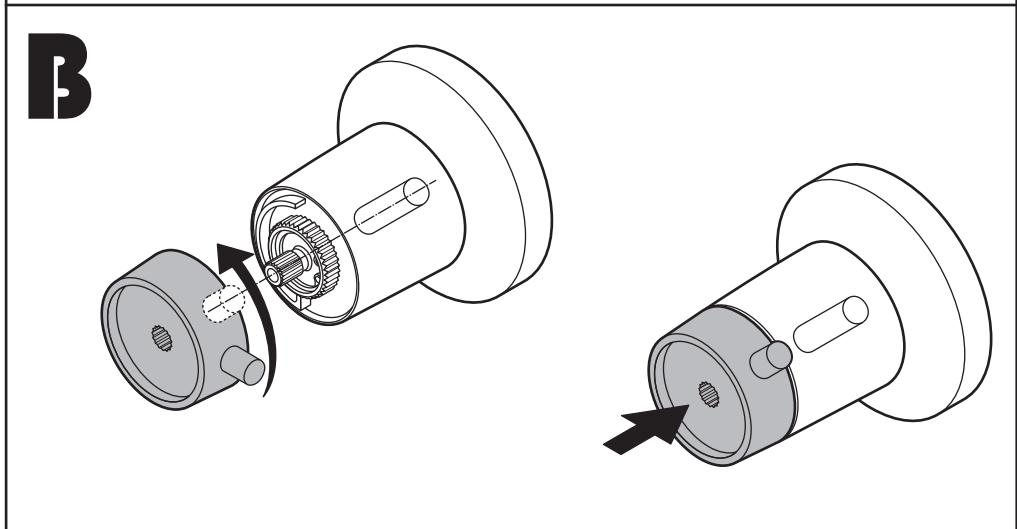
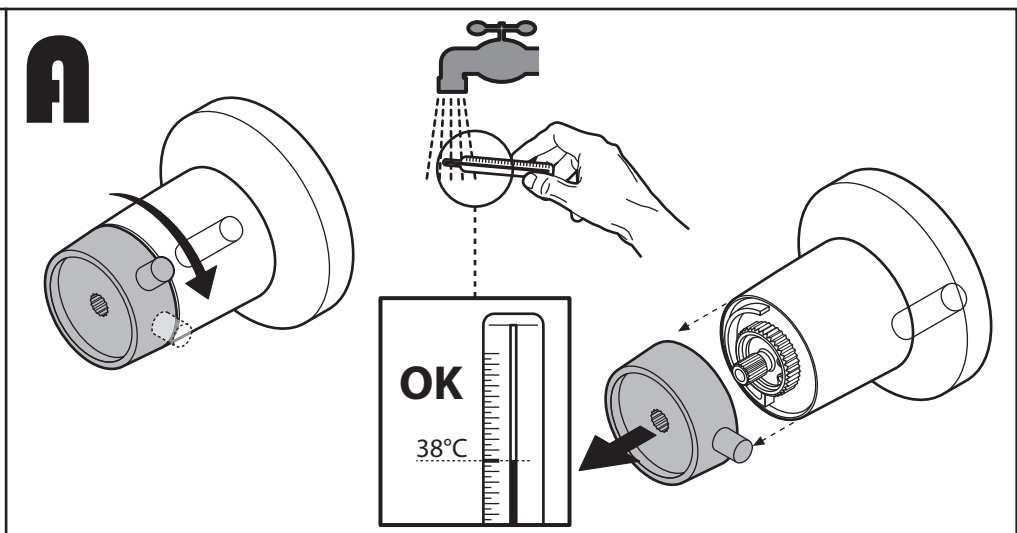
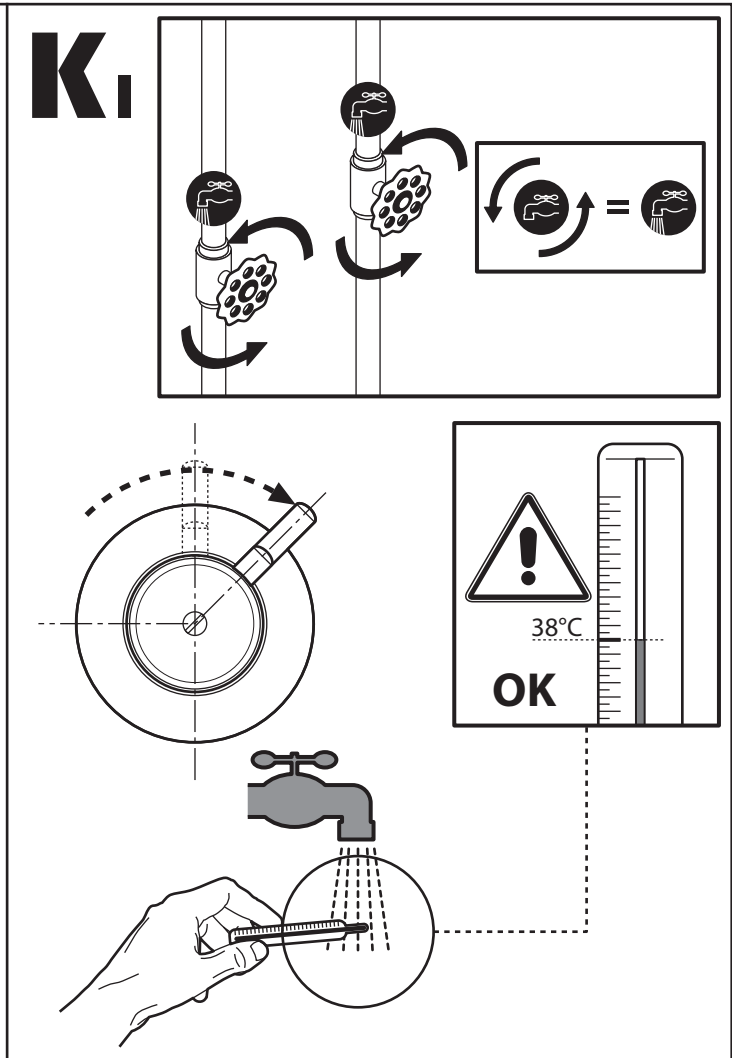
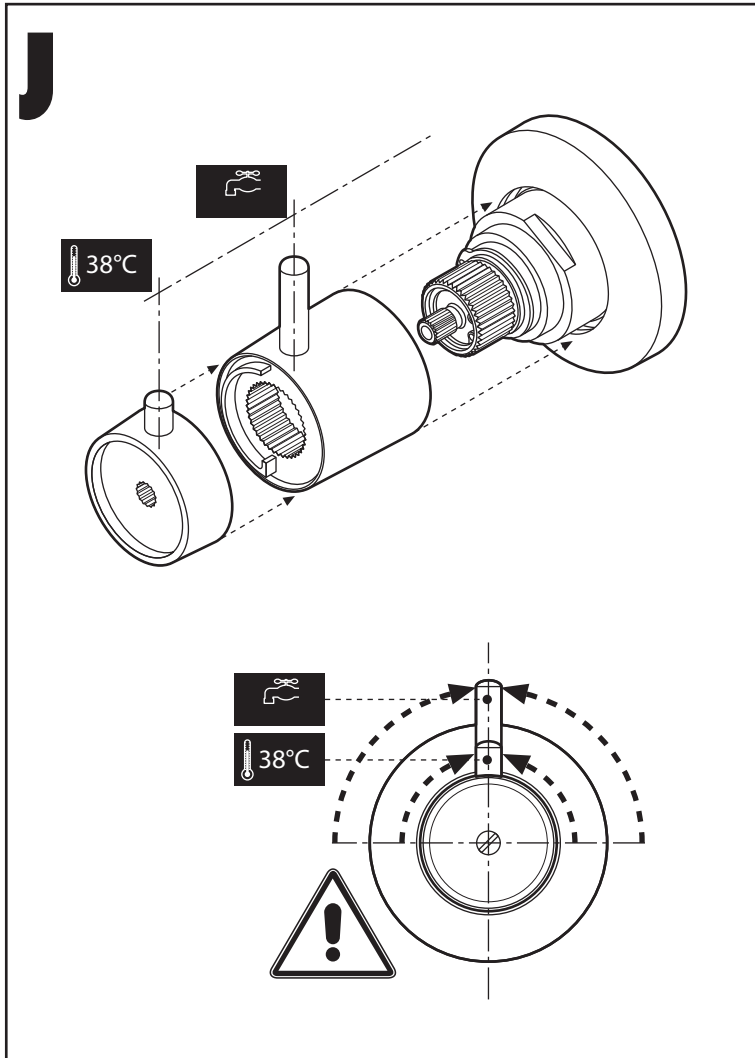


6

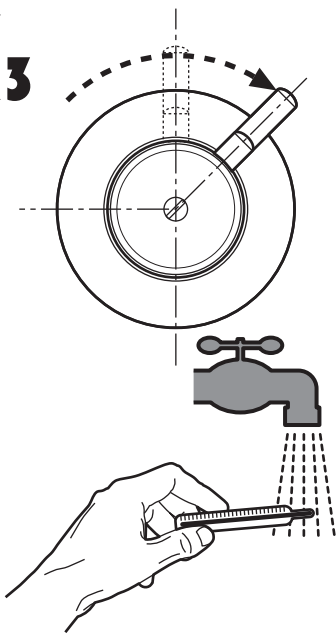




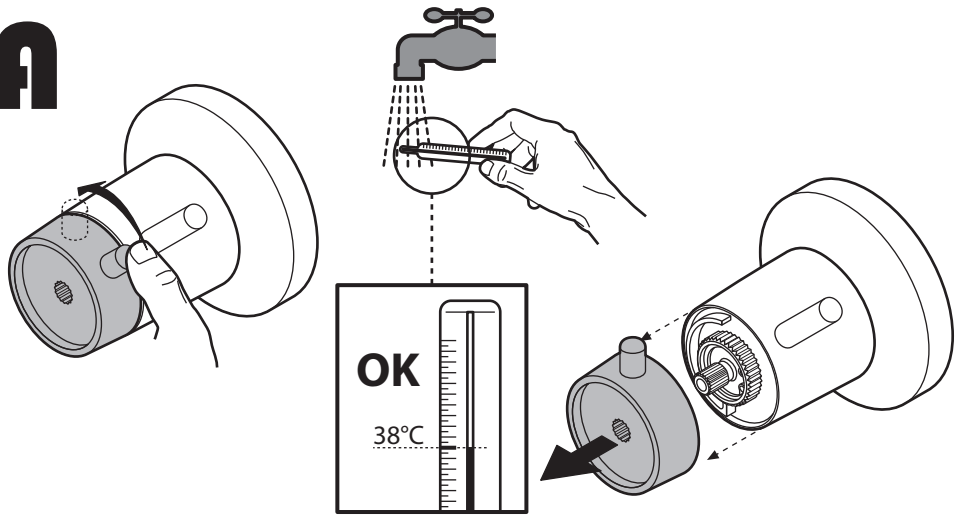




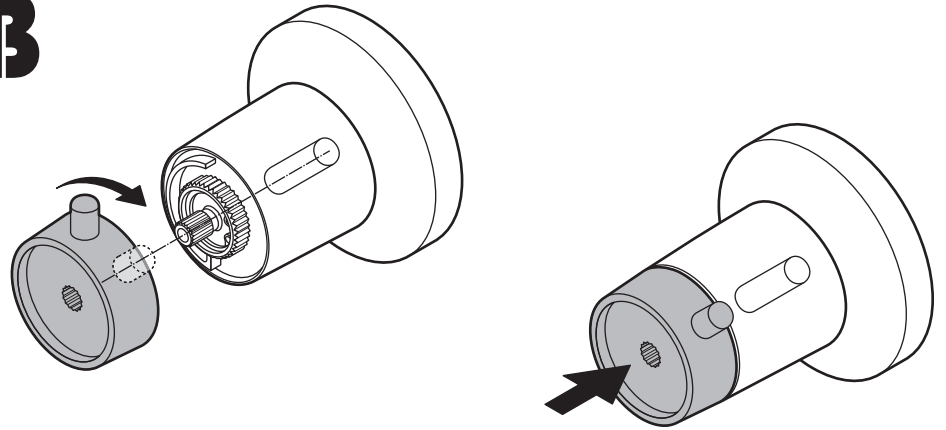
K₃



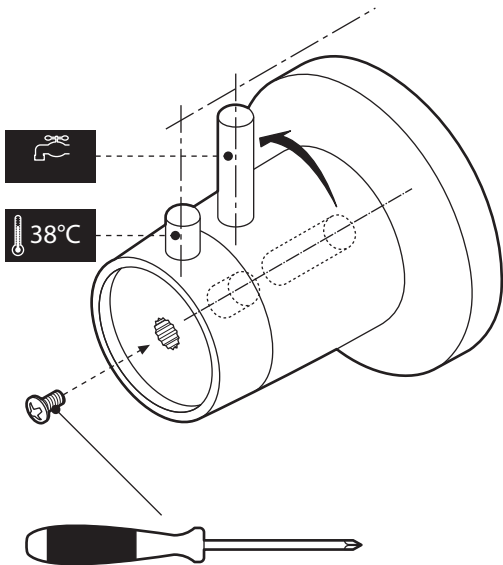
A



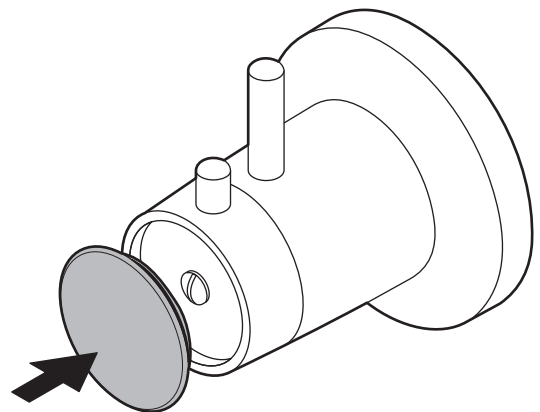
B



L



M





190284

NOVELLINI S.p.A.

Via Mantova, 1023 - 46030 Romanore di Borgo Virgilio (Mn)
Tel. +39 0376 6421 - Fax +39 0376 642250 - e-mail: novellini@novellini.it
www.novellini.com

605561ST_02 (09 2015)