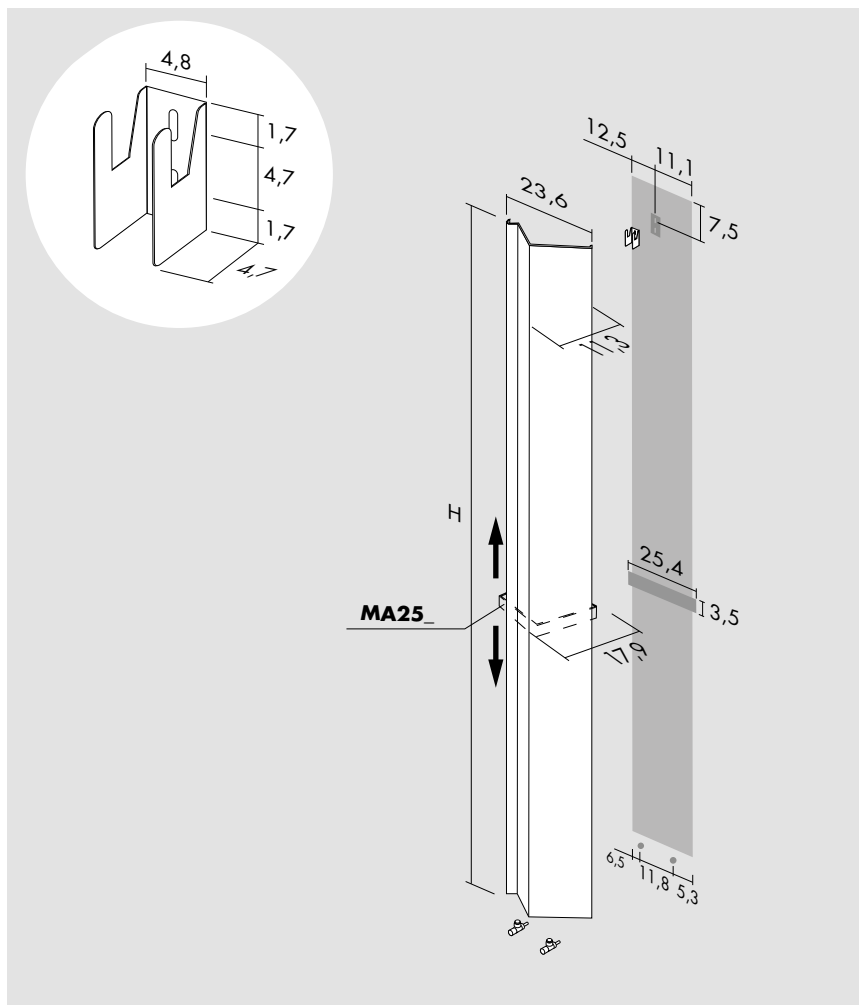


Kcal = Watt x 0.860
BTU = Watt x 3.413

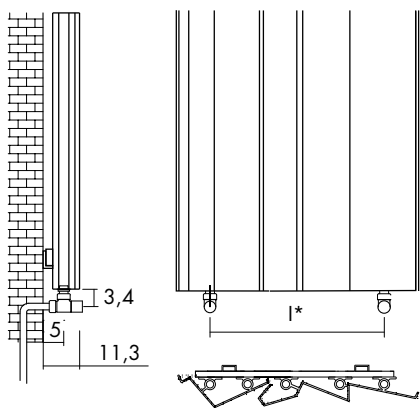
Watt Δt 60° = Watt Δt 50° x 1.264
Watt Δt 40° = Watt Δt 50° x 0.750
Watt Δt 30° = Watt Δt 50° x 0.517
Watt Δt 20° = Watt Δt 50° x 0.307

p max = 5.0 bar



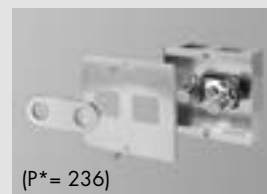
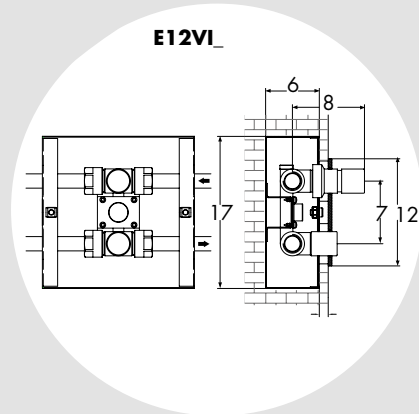
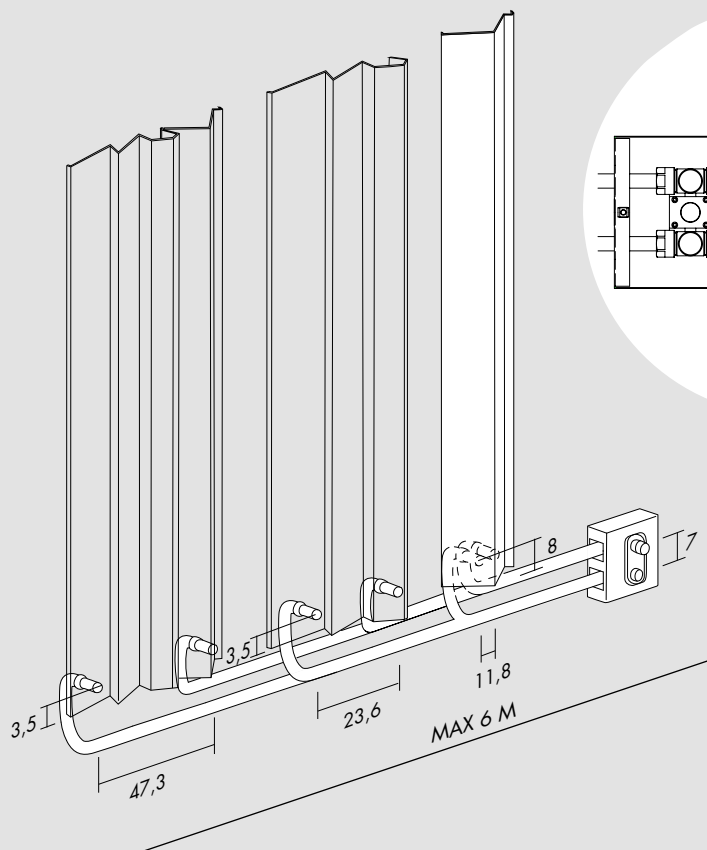
[F]

Standard connection / Raccord standard
Standard Anschluss / Conexión estándar



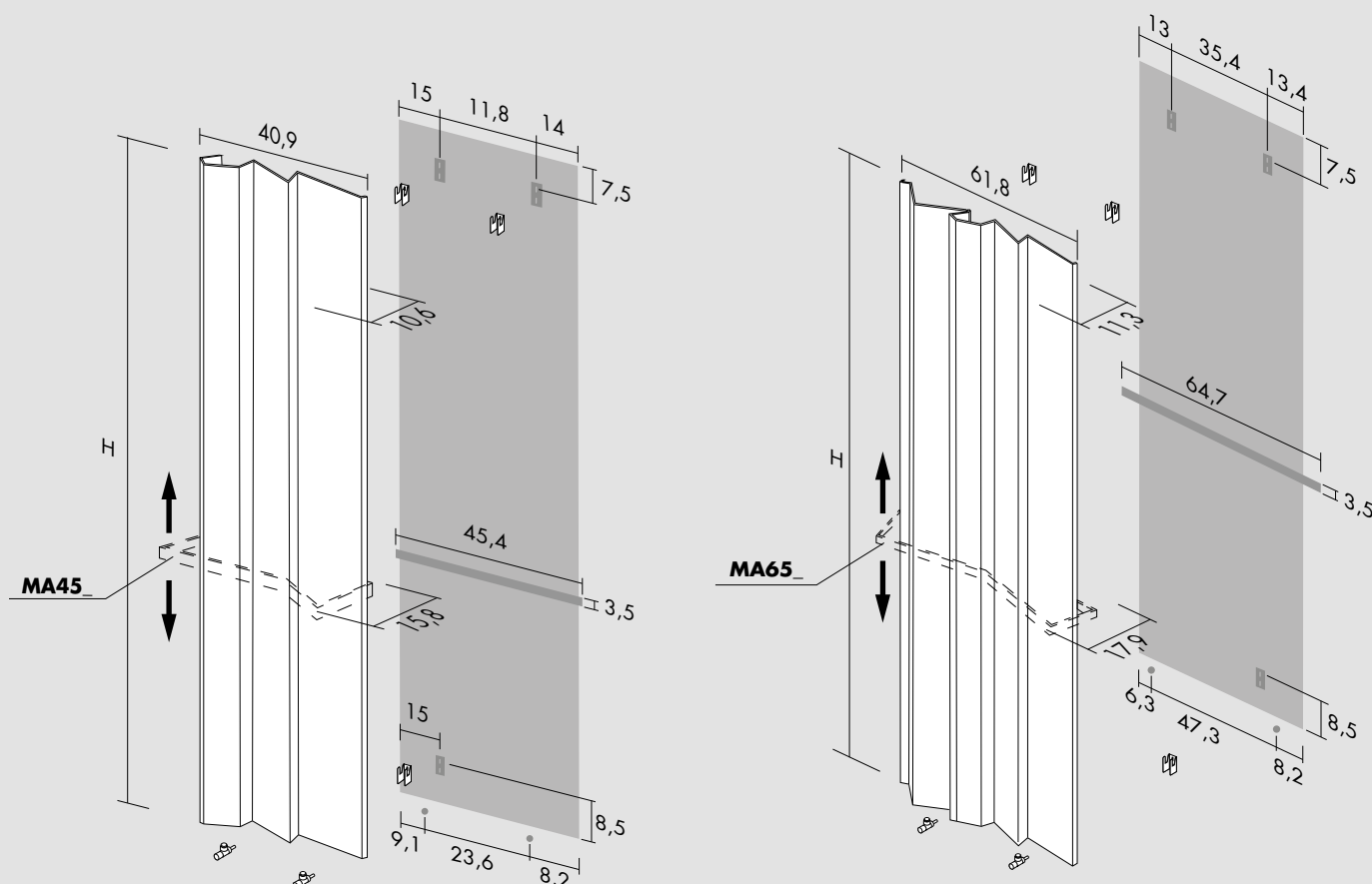
[H]

Special connection / Raccord spéciale / Speziell Anschluss / Conexión especial



Built-in valves
Vanne à encaisse
Einbauventile
Válvulas de empotrar

[BIAN] E12VIB
[CROM] E12VIR



Android V

H cm	L cm	I* cm	art*	Lt*	watt Δt 30°	watt Δt 50°
150.0	23.6	11.8	ANDV150023_	0.9	240	464
150.0	40.9	23.6	ANDV150040_	1.5	384	742
150.0	61.8	47.3	ANDV150061_	2.5	596	1 153
180.0	23.6	11.8	ANDV180023_	1.0	283	547
180.0	40.9	23.6	ANDV180040_	1.8	452	875
180.0	61.8	47.3	ANDV180061_	2.9	703	1 360
200.0	23.6	11.8	ANDV200023_	1.2	312	603
200.0	40.9	23.6	ANDV200040_	1.9	498	964
200.0	61.8	47.3	ANDV200061_	3.3	775	1 499

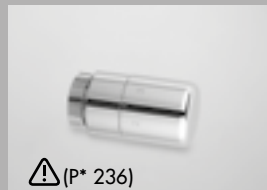
Optional



(P* = 234)

Angled Valve
 Robinet équerre
 Eckausführung Ventil
 Válvula a escuadra

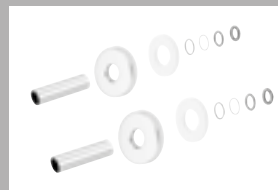
[BIAN] **E12SQB**
 [CROM] **E12SQR**



⚠ (P* 236)

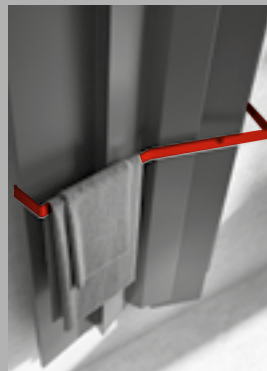
Thermostatic head
 Tête thermostatique
 Thermostatkopf
 Cabezal termostático

[BIAN] **TTB**
 [CROM] **TTR**



$\varnothing \leq 16$ mm
 [BIAN] **CTB**
 [CROM] **CTR**

16 mm < \varnothing > 24 mm
 [BIAN] **CWB**
 [CROM] **CWR**



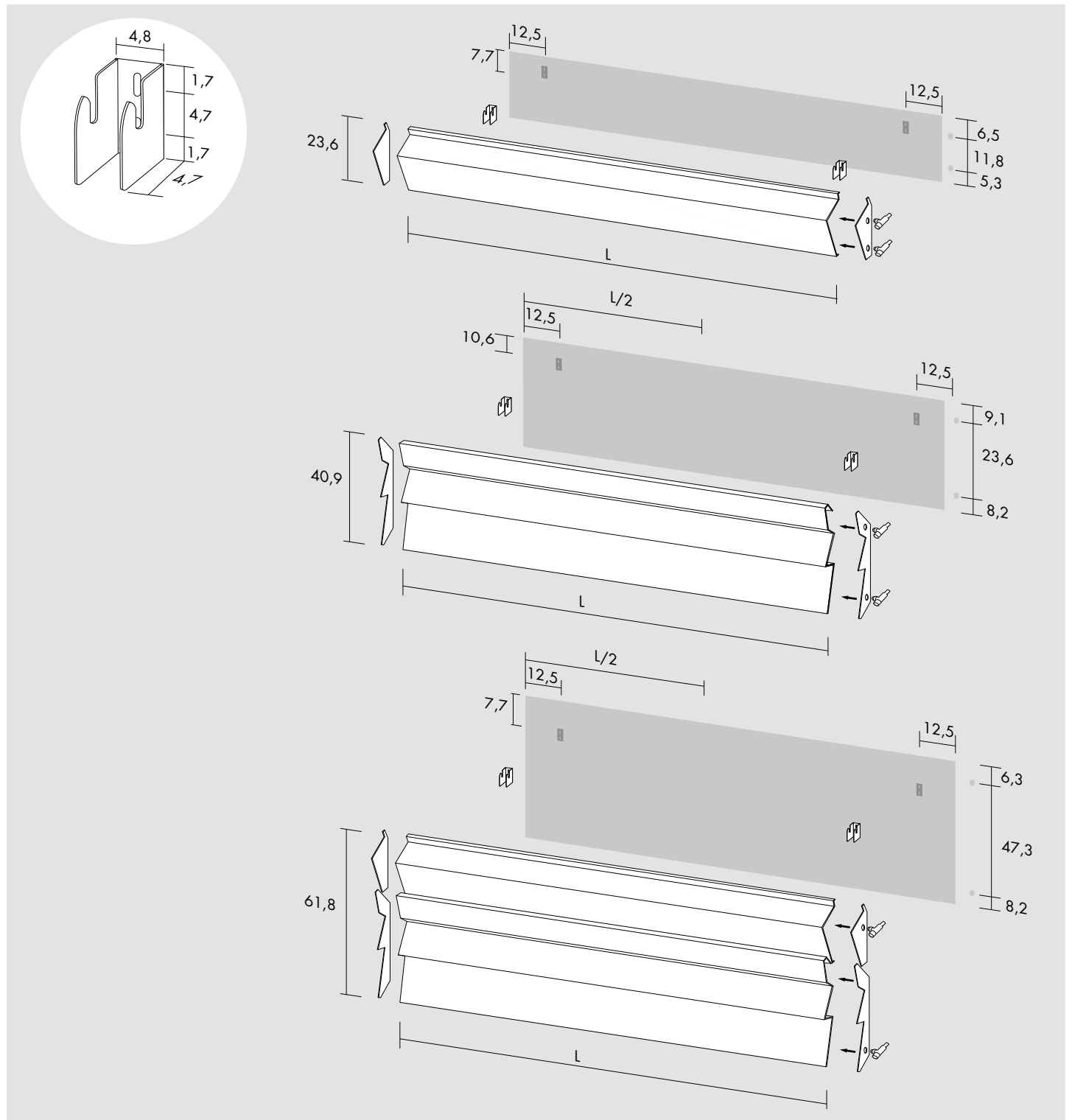
Android 23,6
 [XLUC] **MA25L**
 [COLOUR] **MA25C**
 [GOLD] **MA25G**
Android 40,9
 [XLUC] **MA45L**
 [COLOUR] **MA45C**
 [GOLD] **MA45G**
Android 61,8
 [XLUC] **MA65L**
 [COLOUR] **MA65C**
 [GOLD] **MA65G**

art* = item / modèle / Artikel / artículo I* = pipe centres / distance entre depart et retour / Achsabstand / distancia entre las conexiones
 Lt* = water content for each element / volume d'eau pour chaque element / Wassergehalt für Element / contenido de agua por cada elemento
 P* = page / page / Seite / página

Kcal= Watt x 0.860
 BTU= Watt x 3.413

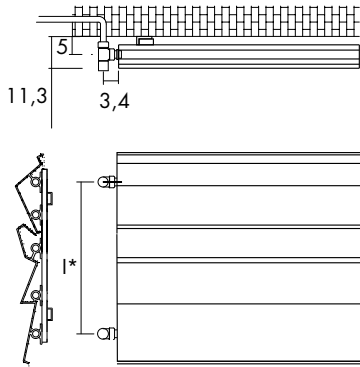
Watt Δt 60°= Watt Δt 50° x 1.257
 Watt Δt 40°= Watt Δt 50° x 0.755
 Watt Δt 30°= Watt Δt 50° x 0.526
 Watt Δt 20°= Watt Δt 50° x 0.316

p max = 5.0 bar



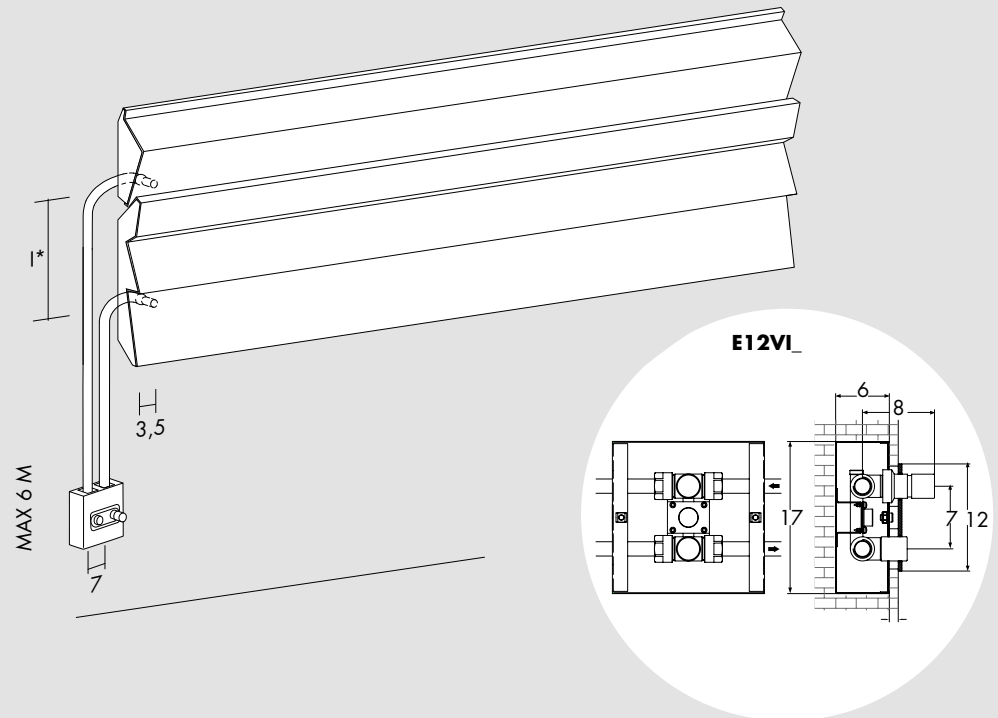
[F]

Standard connection / Raccord standard
 Standard Anschluss / Conexión estándar

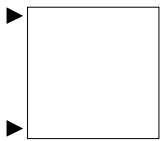


[H]

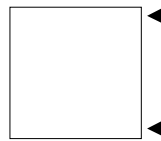
Special connection / Raccord spéciale / Speziell Anschluss / Conexión especial



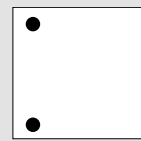
[FS]



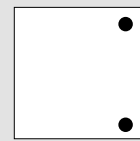
[FD]



[HS]



[HD]



Built-in valves
 Vanne à encaisse
 Einbauventile
 Válvulas de empotrar

Android O

H cm	L cm	l* cm	art*	Lt*	watt Δt 30°	watt Δt 50°
23.6	150.0	11.8	ANDO150023_	0.9	224	426
40.9	150.0	23.6	ANDO150040_	1.5	359	682
61.8	150.0	47.3	ANDO150061_	2.5	544	1 034
23.6	180.0	11.8	ANDO180023_	1.1	269	512
40.9	180.0	23.6	ANDO180040_	1.8	430	818
61.8	180.0	47.3	ANDO180061_	3.0	653	1 241
23.6	200.0	11.8	ANDO200023_	1.2	299	569
40.9	200.0	23.6	ANDO200040_	1.2	478	909
61.8	200.0	47.3	ANDO200061_	3.3	725	1 379

Optional



(P* = 234)

Angled Valve
 Robinet équerre
 Eckausführung Ventil
 Válvula a escuadra

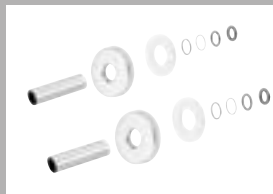
[BIAN] **E12SQB**
 [CROM] **E12SQR**



(P* 236)

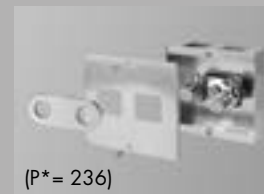
Thermostatic head
 Tête thermostatique
 Thermostatkopf
 Cabezal termostático

[BIAN] **TTB**
 [CROM] **TTR**



$\varnothing \leq 16$ mm
 [BIAN] **CTB**
 [CROM] **CTR**

16 mm $< \varnothing > 24$ mm
 [BIAN] **CWB**
 [CROM] **CWR**

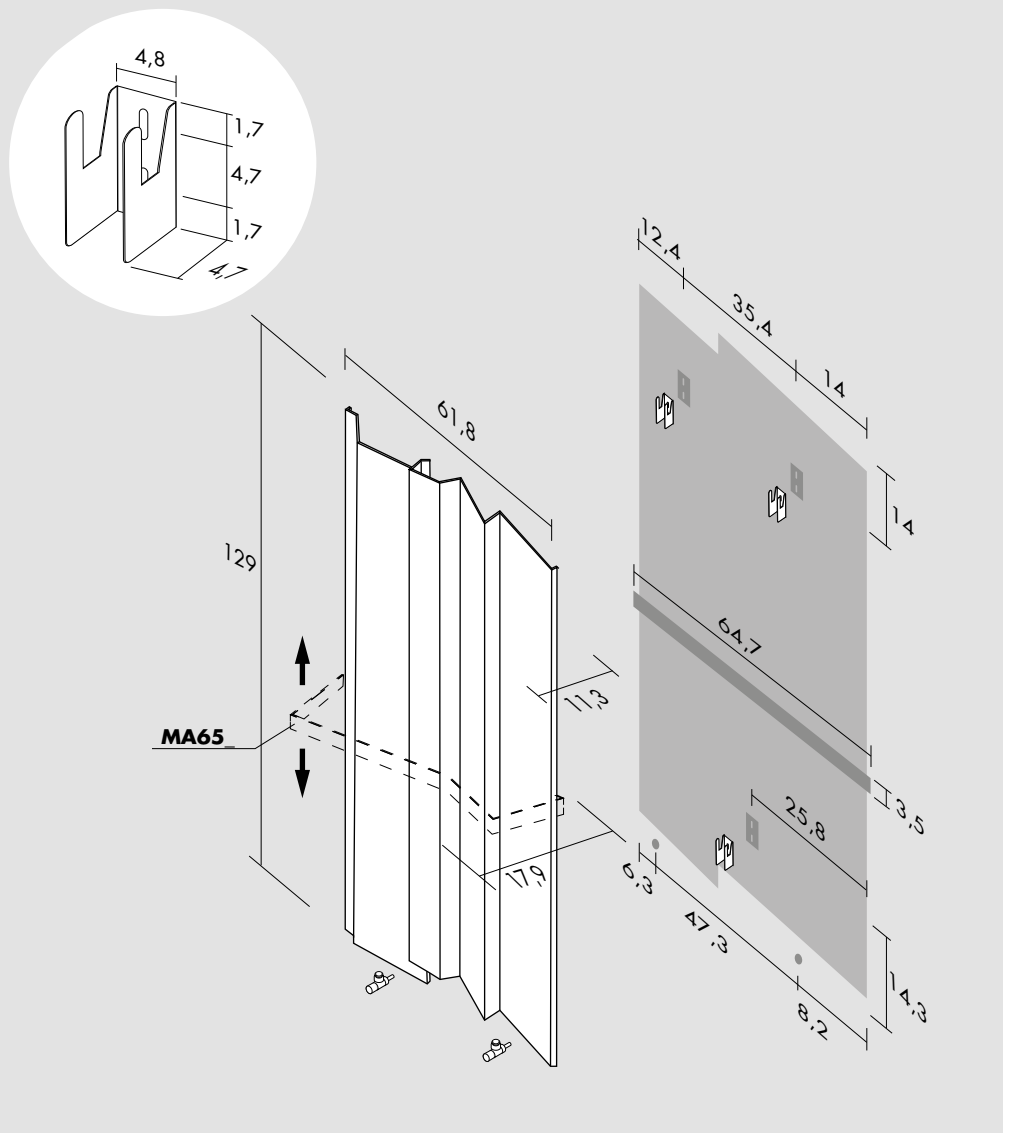


(P* = 236)

Built-in valves
 Vanne à encaisse
 Einbauventile
 Válvulas de empotrar

[BIAN] **E12VIB**
 [CROM] **E12VIR**

art* = item / modèle / Artikel / artículo l* = pipe centres / distance entre depart et retour / Achsabstand / distancia entre las conexiones
 Lt* = water content for each element / volume d'eau pour chaque element / Wassergehalt für Element / contenido de agua por cada elemento
 P* = page / page / Seite / página



Kcal = Watt x 0.860
 BTU = Watt x 3.413

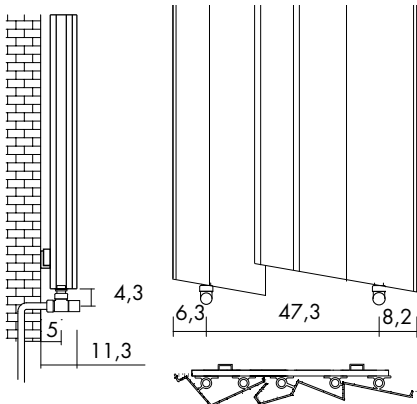
Watt Δt 60° = Watt Δt 50° x 1.264
 Watt Δt 40° = Watt Δt 50° x 0.750
 Watt Δt 30° = Watt Δt 50° x 0.517
 Watt Δt 20° = Watt Δt 50° x 0.307

p max = 5.0 bar



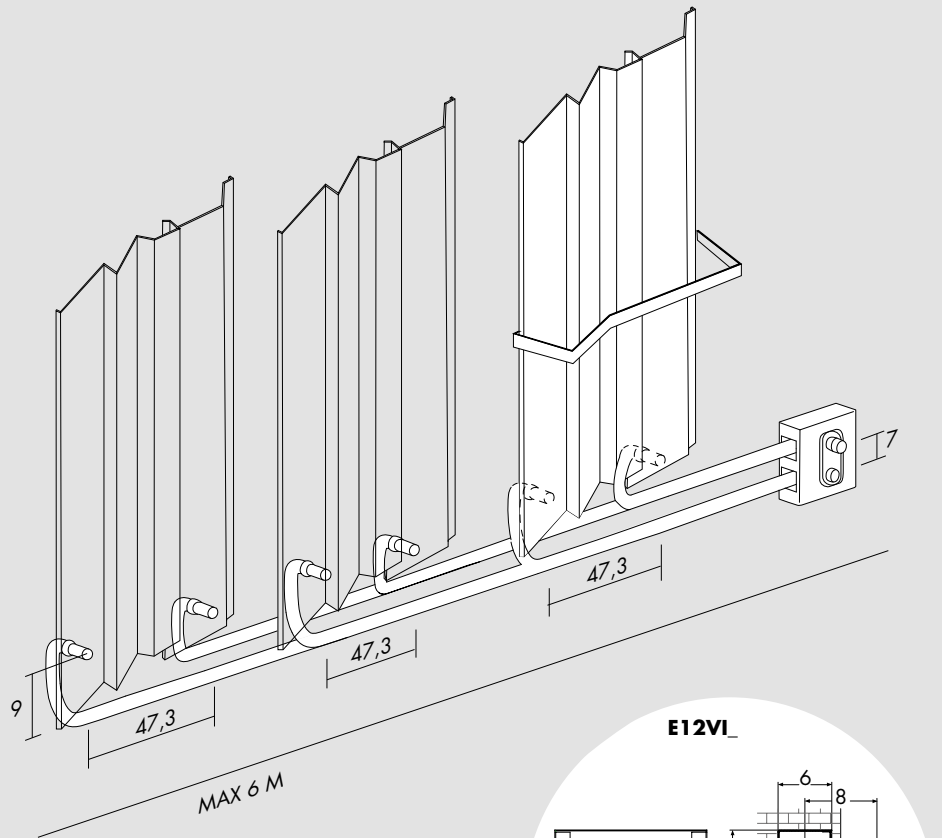
[F]

Standard connection / Raccord standard
 Standard Anschluss / Conexión estándar

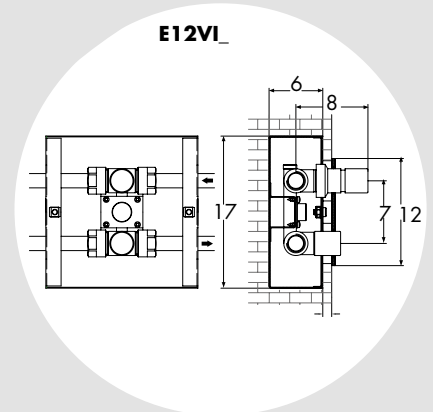


[H]

Special connection / Raccord spéciale / Speziell Anschluss / Conexión especial



Built-in valves
 Vanne à encaisse
 Einbauventile
 Válvulas de empotrar



Android IQ

H cm	L cm	I* cm	art*	Lt*	watt Δt 30°	watt Δt 50°
129.0	61.8	47.3	ANIQ129061_	2.1	498	964

Optional



(P* = 234)

Angled Valve
 Robinet équerre
 Eckausführung Ventil
 Válvula a escuadra

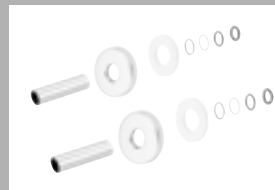
[BIAN] **E12SQB**
 [CROM] **E12SQR**



⚠ (P* 236)

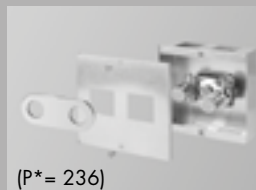
Thermostatic head
 Tête thermostatique
 Thermostatkopf
 Cabezal termostático

[BIAN] **TTB**
 [CROM] **TTR**



$\varnothing \leq 16$ mm
 [BIAN] **CTB**
 [CROM] **CTR**

16 mm < \varnothing > 24 mm
 [BIAN] **CWB**
 [CROM] **CWR**



(P* = 236)

Built-in valves
 Vanne à encaisse
 Einbauventile
 Válvulas de empotrar

[BIAN] **E12VIB**
 [CROM] **E12VIR**



Towel bar
 Porte-serviettes
 Hsndtuchstler
 Porta toallas

[XLUC] **MA65L**
 [COLOUR] **MA65C**
 [GOLD] **MA65G**

art* = item / modèle / Artikel / artículo I* = pipe centres / distance entre depart et retour / Achsabstand / distancia entre las conexiones
 Lt* = water content for each element / volume d'eau pour chaque element / Wassergehalt für Element / contenido de agua por cada elemento
 P* = page / page / Seite / página